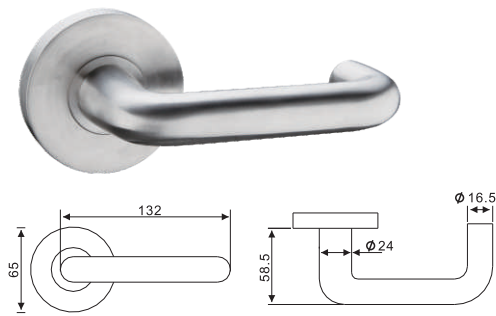
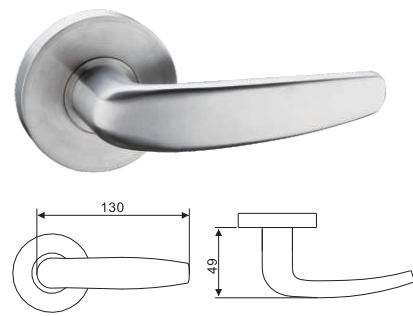


美标精铸不锈钢把手 ANSI Hollow Lever Handle On Plate

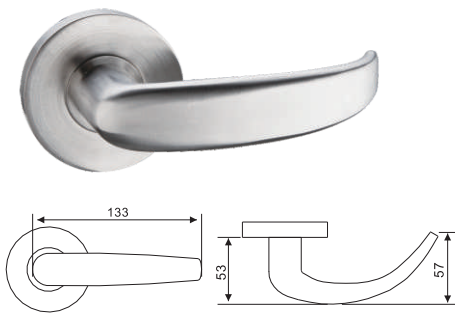
- 把手均为SUS304精密铸造
- 方钢和把手一体铸造加工而成
- 护盖底座为SUS304不锈钢冲压制造
- 把手开启次数达美标一级锁开启标准
- 表面处理: SS,PVD,PS
- Handles are made by casting stainless steel 304
- Insert and lever are integrally cast, more stronger
- Rose and cover are made by casting stainless steel 304
- Cycle test according to ANSI grade1
- Finish: SS, PVD AND PS



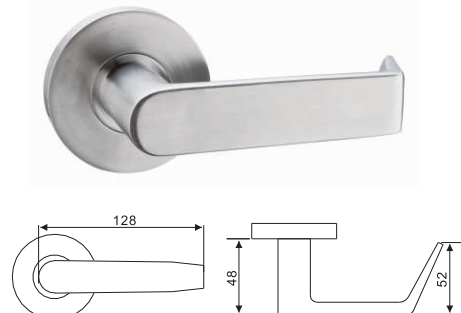
L28180



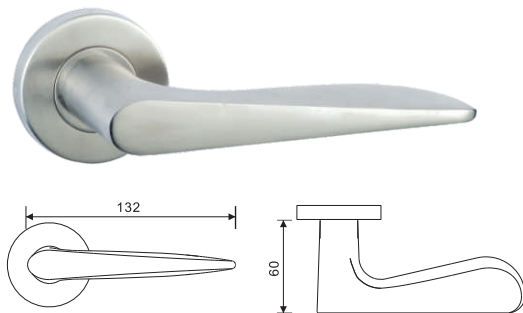
L28181



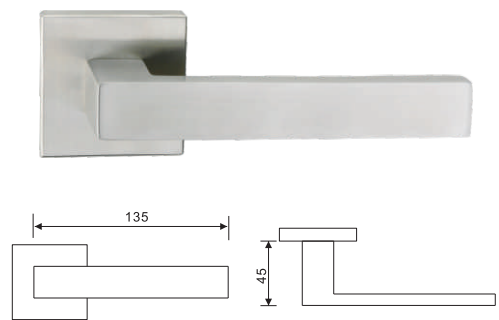
L28182



L28183



L28169



L27173

注：老款L28080/L28081/L28082/L28083底座为精铸无库存，可定货。