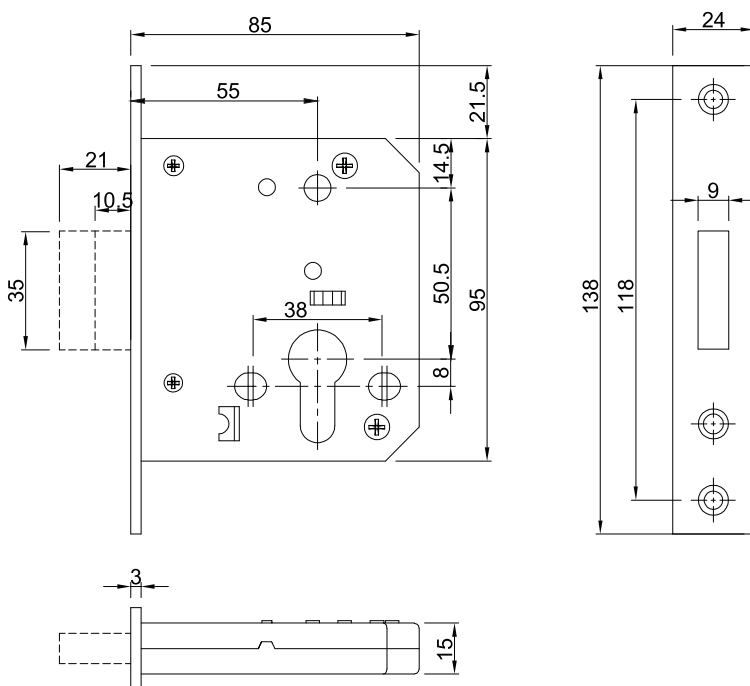


- 执行标准：欧盟EN12209:2016.20万次开启标准
EN1634-1:2012.4小时防火标准
中国GB12955-2008.90分钟3C防火标准
 - 舌头配置：SUS304精铸斜舌
 - 面板配置：高级耐指纹盖板，SUS304面板
 - 拨轮配置：高精度钢制，一体式
 - 表面处理：不锈钢拉丝，沙金PVD
 - 适用门型：木质门、钢质门
 - 适用区域：管井门、机房门
- Compliance:EN12209:2016, 200,000 life cycle
EN1634-1:2012, 4 hours fire rated
 - Dead bolt and latch bolt are made by casting stainless steel 304
 - Forend is anti-fingerprint stainless steel 304
 - Finish: SS, satin PVD, polished PVD, polished
 - Suitable for woodend and steel door, flat door, rebated door
 - Application: fire door, smoke door

55-D

管井防火锁体(精简型)

Fire Rated Deadbolt Lock



标准配置方案

Standard configuration



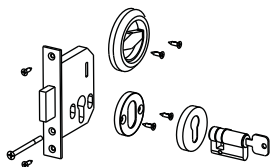
配置说明

The detail of standard configuration

- 把手配置:圆环拉手和分体钥匙盖
- 锁体配置:钢木螺丝
- 锁芯为单开或者双开, 长度依据实际门厚确定
- 适用标准门厚45-50MM, 选配门厚51-70MM
- Handle: Two activity handle for both side, 4 sets of through bolt .
- Lock: screws and 8*8*100mm spindle
- Cylinder: key/key or half cylinder
- Suitable for door thickness 45~50mm. 51~70mm thickness is optional.

换舌方向示意图

Reverse latch for left or right handed door .



功能说明

Function

- 管井门:门内无锁定, 门外钥匙开启拉环开门
- 机房门:门内门外均钥匙开门
- 钥匙可纳入总钥匙管理系统, 实现统一管理
- Tube wells door: half cylinder, lock or open outside by key
- Equipment door: inside and outside open by key
- Master key is available