

HH-01~06

连续铰链

Continuous hinge

材质说明: 铝合金6063-T6

表面处理: CL - 银色阳极氧化铝/BZ - 黑色阳极氧化铝

Extruded 6063-T6

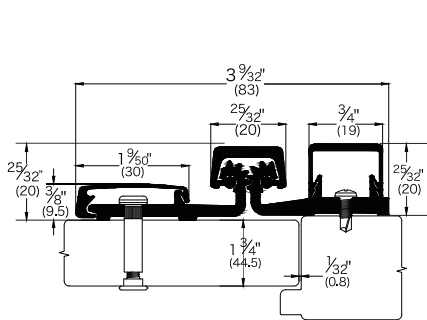
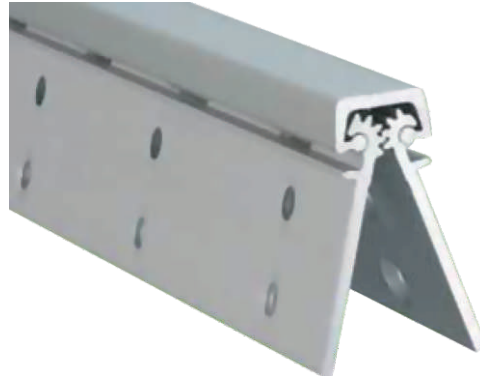
aluminum alloy/temper

with pinless assembly.

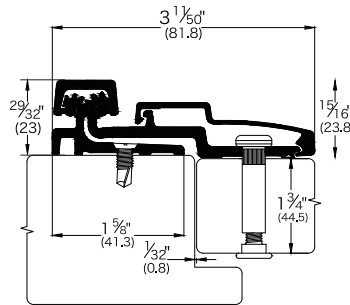
CL - Clear anodized aluminum

BZ - Dark anodized aluminum

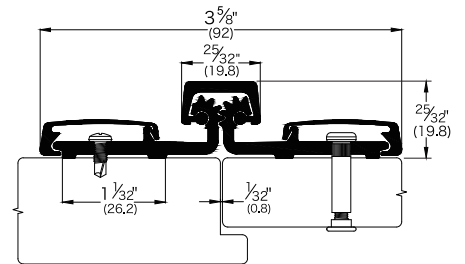
Door Size 门高	Hinge Length 铰链长度	# of Bearings 轴承数量	Door Weight 门重
6'8"	79"	26	520 lbs
7'0"	83"	27	540 lbs
7'2"	85"	27	540 lbs
8'0"	95"	31	620 lbs
10'0"	120"	39	780 lbs



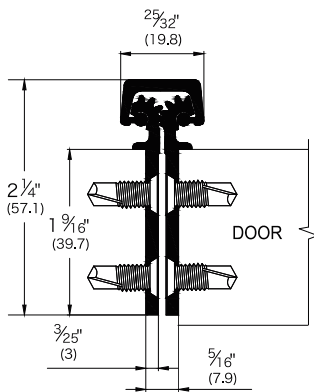
HH-01



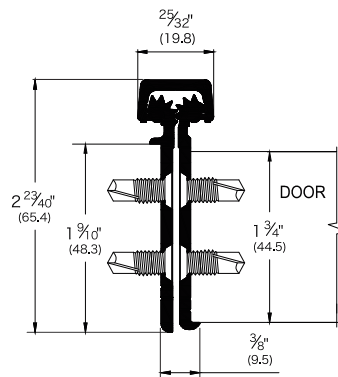
HH-02



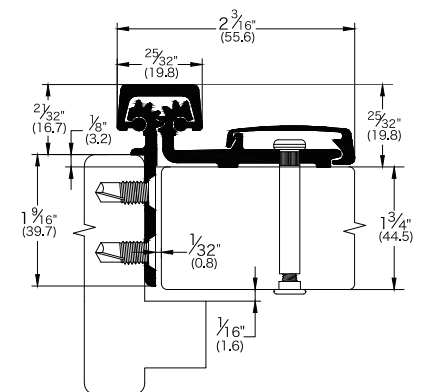
HH-03



HH-04



HH-05



HH-06