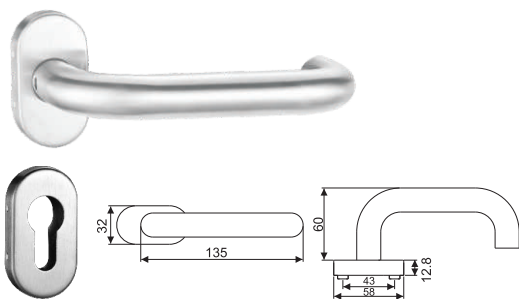


欧标型材门把手

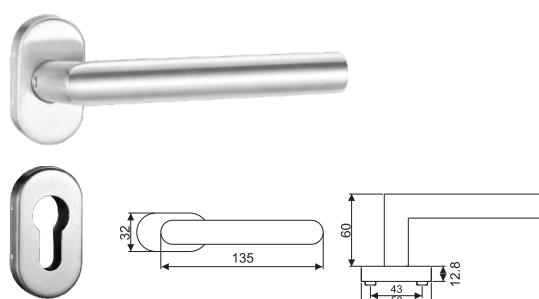
Specification

- 把手均为不锈钢304制造
- 护盖底座:09底座为锌合金铸造,把手带90°定位功能,不分左右
08底座为冲压制造,把手可带±45°限位功能
- 把手通过EN1906,EN4级20万次开启
- 表面处理:SS PVD PS

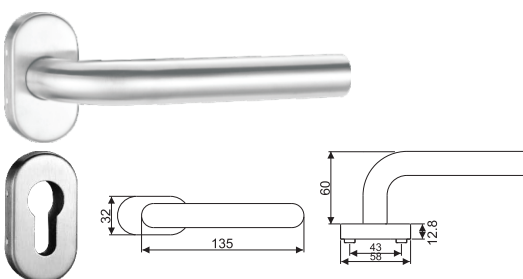
- Material: stainless steel 304
- Inner rose:09-zinc alloy, non handed
08-steel plating, handed
- Cycle test 200,000, compliance to EN1906
- Finish: SS, PVD, PS



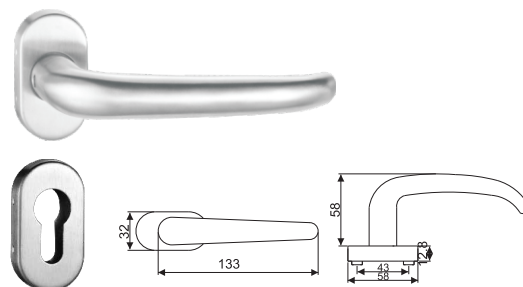
L10901/L10801



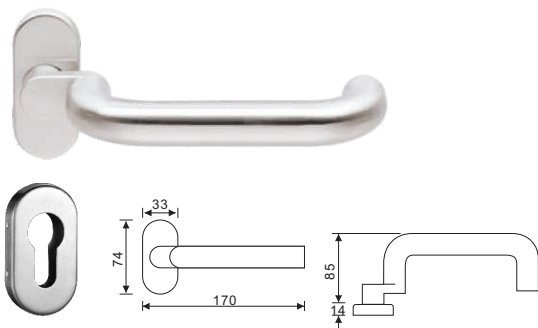
L10902/L10802



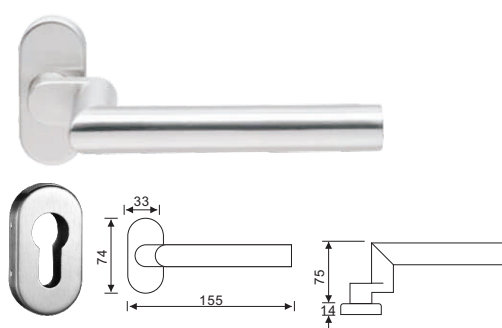
L10903/L10803



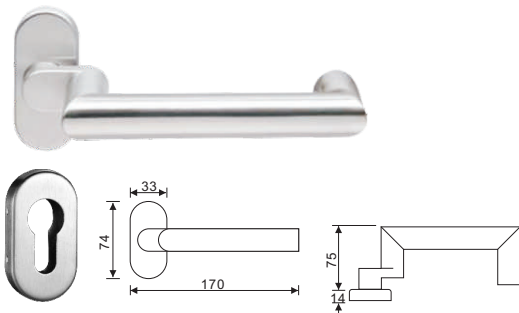
L10936/L10836



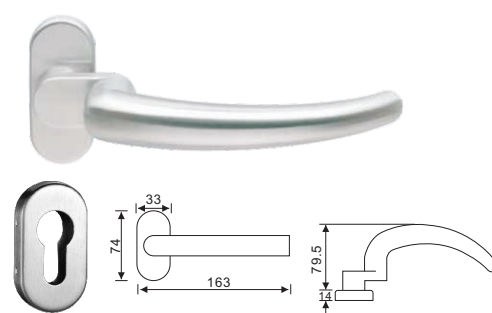
L109101/L108101



L109102/L108102



L109111/L108111



L109136/L108136