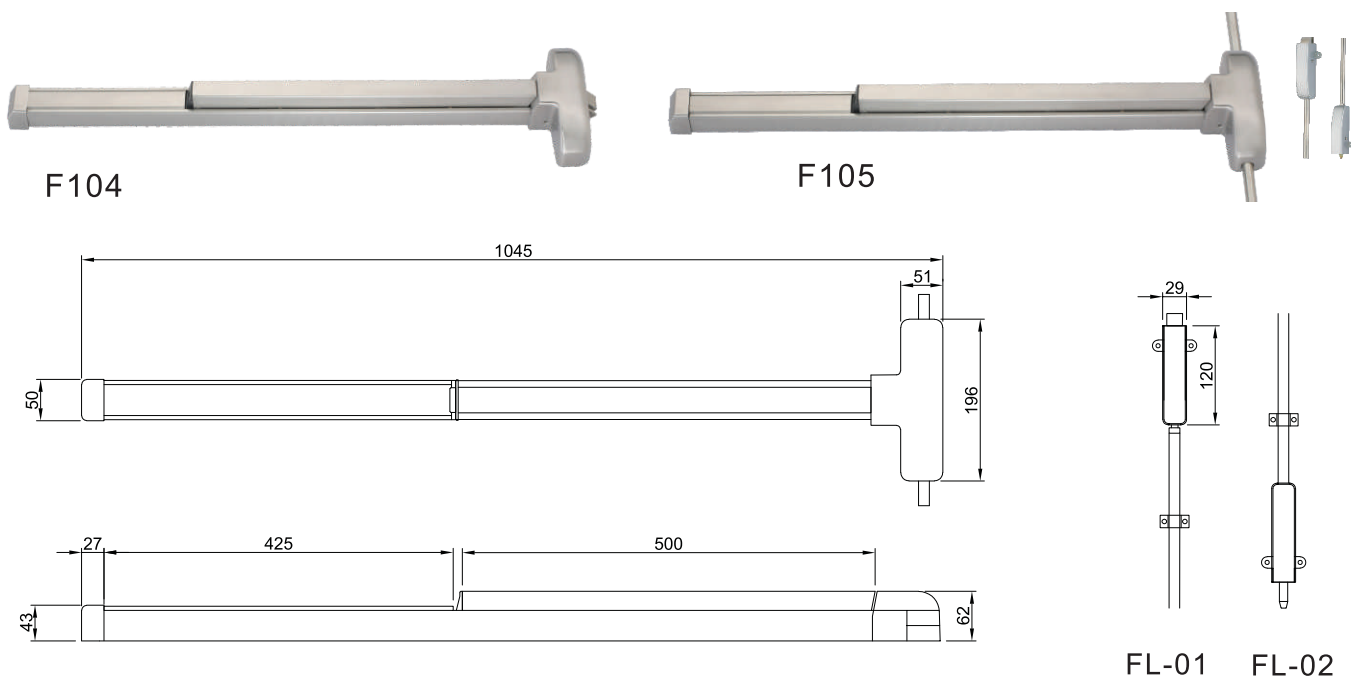


- 1.符合UL305寿命测试50万次
- 2.符合CE认证, EN1125机械性能20万次认证, EN1634防火认证
- 3.符合GB30051-2013 一级检测, 90分钟防火
- 4.锁舌为不锈钢304精铸件, 耐磨损
- 5.锁头盖为不锈钢或者45号钢, 强度高
- 6.锁身选用1.2MM厚的不锈钢304或者优质钢, 强度余量大
- 7.盐雾测试240小时, 防锈能力强
- 8.标准配置 可适用1000MM门宽, 可适用1400MM门宽
- 9.美标及欧标适用的最小门宽为500MM (需定做)

- 1.Compliance : UL305, ANSI/BHMAA156.3 grade 1,
- 2.Compliance: EN1125, 200,000 times cycle test ; EN 1634 fire rated
- 3.GB30051-2013 Grade 1 fire-rated
- 4.Latch is stainless steel 304
- 5.Cover is stainless steel 304 or steel.
- 6.Case is stainless steel or steel, 1.2mm thickness
- 7.Salt spray test, 240 hours
- 8.Max.1400mm door width for ANSI/BHMAA156.3, Max. 1000mm for En1125
- 9.Min.520mm door width is optional



参数配置 Specification		F104 半长单点平推式逃生门锁 单点锁定 (1)	F105 半长天地平推式逃生门锁 天地两点锁定 (2)
锁定方式 Lock point		○	○
适合门宽 Door width	≥500 mm < 650mm ≥650 mm	○ ●	○ ●
适合门高 Door height	≤2100 mm ≥2100 mm	- -	● ○
最大门重 Door weight(KG)		200	200
是否适用左开门和右开门 Non handed		●	●
常开机构 Dogging device		○	○
锁舌防撬功能 Security anti-thrust		●	●
是否适用防火(应急)门防烟门 For fire and smoke door		●	●
可配装外装锁 Trim optional	FA001,FA002,FA003 FA004,FA005,FA006,FA007 FA008,FA009,FA010,FA011,FA801	○ ○ ○	○ ○ ○
门厚 Door thickness	50-55mm > 55mm	● ○	● ○
中国防火标准 China fire rated		●	●
材料 Material		Stainless steel 304/316 or steel	
表面处理 Finish	不锈钢 Stainless steel 优质钢 Steel	SS, PS,PVD Silver, black, white, green	

● = 标配; yes - = 不含此项; NO ○=选配项 optional

注意:根据欧洲和美国法规, 用在防火门和防烟门的逃生门锁不可以配常开机构。

According to EN/UL standard, dogging is not allowed for fire and smoke door